

# Install Back to Back D-Form & Square Enkel Entry Handle Set

## General Information



## Hardware supplied

- 2 x 100mm long 6mm Bolts
- 2 x prefixed black Button Keyhole fixings (on rear of the backing plate)
- 2 x Prefixed Green buttons (on rear of 1 handle face)
- 1 x Allen key

## Supplied configuration

- The exterior face is supplied with the backing plate that is pre-fixed and fitted with 2 metal threaded inserts.
- The interior face is fitted with 2x green buttons at the rear.
- The interior backing plate (loose part) and fitted with 2 black keyhole fixings.
- The size of the handle will determine where the button fixings will be located. See table.

## Safety

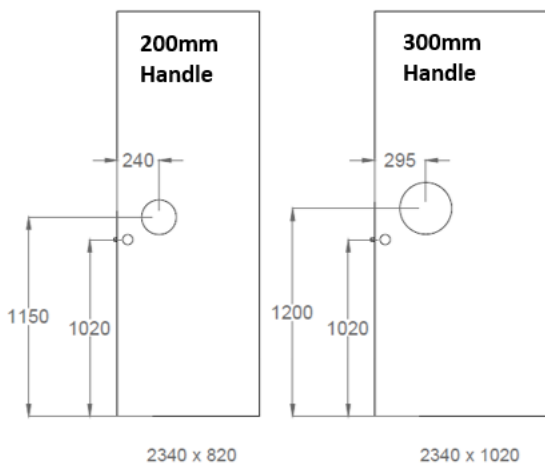
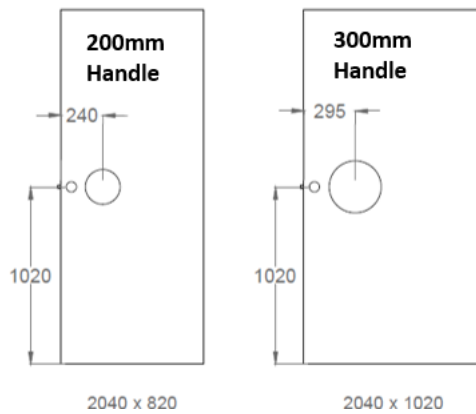
- Always follow the manufacturer's safety instructions when using power tools and adhesives.
- Wear safety glasses throughout the installation.

## Tools and equipment required

- Safety glasses
- Drill and 8mm drill bit
- Handle set and fittings
- Pencil
- Measuring tape
- Allen key

## Prepare the door

- It is recommended to position the handle (as per the example diagrams below) from the base of the door and the inset according to the handle size (this is optional)
- Mark the height and distance from the edge of the door.



- Mark the location for the 2 bolt holes. See relevant distances below. Important that you check for accuracy.
- Drill 8mm holes through door at the points marked out above from either side to avoid break out.

Centre to Centre: Distances for the 8mm bolt holes & Buttons		
200mm handle	240mm handle	300mm handle
60mm	80mm	100mm

## Installation

### IMPORTANT NOTE

- The pre-fixed handle and backing plate must be fitted to the exterior face of the door.
- Ensure the handle is pre-finished on all faces prior to installation.

### STEP 1

- Remove the backing plate with the yellow sticker 'loose part'

### STEP 2

- Insert the long bolts through the rear of the **loose backing plate**.
- Note: Black keyhole fittings should face outwards and above centre as shown below.

### STEP 2

- Next, pass the bolts through the door hole

### STEP 3

- Connect the bolts to the threaded inserts of the prefixed face/backing plate on the exterior side of the door. Tighten firmly using the Allen key.



### STEP 4

- Install the **remaining face**. Align the wide opening of the black fittings with the green buttons.

### STEP 5

- At the top of the face firmly push down to click it into place.

If a mallet is needed, ensure to protect the surface of the handle prior to tapping to avoid risk of damage.

NB: Exterior handles require a quality exterior finish on all surfaces including the entire rear surface to protect from water damage.